



**HPS-BPWDMXLED  
QUATTRO**

**User Manual**

Battery Powered Wireless DMX LED Fixture



*Patent Pending*

Hanson ProSystems  
4960 NW 165 St Unit B-12  
Miami Gardens, FL 33014  
www.hansonprosystems.com

Rev. 1/12

**Table of Contents**

1. Contents .....	4
Claims: .....	4
Fixture Quick Overview: .....	4
2. Safety Precautions: .....	5
Warning! .....	5
Caution! .....	5
3. Handling Precautions: .....	5
General Information .....	6
Introduction: .....	6
Customer Support: .....	6
Warranty Registration: .....	6
4. Introduction Diagram .....	7
Fixture Diagram: .....	7
Fixture Dimensions: .....	8
Features: .....	9
5. Set Up .....	10
AC Power: .....	10
Charging the Battery: .....	10
Battery Life Display: .....	10
Battery Charge Indicator: .....	10
Battery Maintenance: .....	10
Fuse Replacement: .....	10
Power Linking: .....	11
DMX Wire Setup: .....	11
DMX Wire Linking: .....	11
DMX Signal Indicator .....	12
Mounting: .....	12
Rigging: .....	12
6. Operation .....	13

Control Panel Operation: ..... 13

Menu Map: ..... 13

Setting DMX Channel Modes:..... 15

Setting DMX Address:..... 15

DMX Values and Functions:..... 16

Standalone Modes: ..... 21

Wired Master-Slave Configuration ..... 21

Wireless Master-Slave Configuration..... 22

Battery Functions: ..... 23

Wireless DMX Internal Transceiver:..... 23

Wireless DMX Control:..... 24

Examples of System Configurations: ..... 25

Example 3: ..... 26

HPS-DMX-WTR Features:..... 27

7. Other information ..... 27

Cleaning: ..... 27

Trouble Shooting:..... 28

Specifications: ..... 28

Returns Procedure:..... 29

Shipping Claims: ..... 29

9. Manufacturer’s Limited Warranty ..... 30

General Information ..... 32

The information and specifications contained in this manual are subject to change without notice. Hanson ProSystems assumes no responsibility or liability for any errors or omissions that may appear in this manual. Hanson ProSystems reserves the right to update this existing manual or to create a new manual to correct any errors or omissions. You can download the latest version of this manual from [www.hansonprosystems.com](http://www.hansonprosystems.com). (Electronically published by Hanson ProSystems in the United States and printed in China.)

To optimize the performance of this fixture, please read these operating instructions carefully and familiarize yourself with the basic operations of the fixture. These instructions contain important safety information regarding the use and maintenance of this fixture. Please keep this manual with the fixture, for future reference. If this fixture is sold to another user, be sure that they also receive this manual.

**1. Contents**

1. HPS-BPWDMXLED QUATTRO
2. 3 Ft Power con inlet to Power con outlet cable
3. 3 Ft Power con to AC plug cable
4. User Manual
5. Warranty Card

Thank you for purchasing the HPS-BPWDMXLED QUATTRO. Every QUATTRO fixture has been thoroughly tested and shipped in perfect operating condition. Carefully inspect the shipping box for any damages that may have occurred during shipping. If the box appears damaged, check your fixture thoroughly for any damage and or missing accessories. Please contact Hanson ProSystems or your authorized dealer for further instructions, if the product you have received is damaged or missing parts. DO NOT return the fixture to your dealer without contacting them first.

**Claims:** If the box or any of its contents appear damaged from Shipping or mishandling, notify the shipping carrier immediately. (DO NOT contact Hanson ProSystems). Failure to contact the shipping carrier in a timely manner may invalidate your claim. In addition, keep the cardboard box and all the packaging materials for inspection. For other issues, NOT involving shipping damage; such as, missing components or parts, damage not related to shipping, or concealed damage, file a claim with Hanson ProSystems within seven (7) days of receiving the merchandise.

**PLEASE recycle the shipping carton whenever possible.**

**Fixture Quick Overview:**

- AC Power Yes
- Auto Programs Yes
- Auto-Ranging Power Supply Yes
- Battery Powered Yes
- DMX Yes
- Master/Slave Yes
- Replaceable Battery Yes
- Replaceable Fuses Yes
- Sound Activated Yes
- Wireless DMX Yes
- Outdoor Use No
- Use On A Dimmer No
- User Serviceable No

## 2. Safety Precautions:

- This fixture is intended for **indoor use only**; use of this fixture outdoors voids warranty.
- To reduce the risk of electrical shock or fire, do not expose or spill this fixture to any liquids or moisture.
- Do not spill water or any other liquids onto your fixture.
- The fixture should be situated away from heat sources such as radiators, heat registers, stoves, or other appliances (including amplifiers) that produce heat.
- The ambient temperature must always be under +35° C.
- Be sure that the local power outlet matches the required voltage for your fixture.
- Do not attempt to operate the fixture if the power cord has been frayed or broken.
- Do not attempt to remove or break off the ground from the electrical cord. This ground is used to reduce the risk of electrical shock and fire in case of an internal short.
- Disconnect from main power before making any type of connection.
- Never plug this fixture into a dimmer pack.
- Power-supply cords and DMX cables should be routed so that they are not likely to be walked on or pinched by items placed upon or against them. Pay particular attention to the point they exit from the fixture. This does not apply when in wireless operation.
- Fuse standard is 5A/250V for AC power and 5A/250V for the Battery.
- Grounded using yellow/green line.
- During long periods of non-use, disconnect the fixture from main power source.
- Do not remove the cover under any conditions. There are no consumer serviceable parts inside.
- Never operate this fixture if the cover is removed.
- Do not attempt to operate this fixture if it becomes damaged.
- Always be sure to mount this fixture in an area that will allow proper ventilation. Allow about 3" (7.62cm) between this fixture and a wall.
- Always mount this fixture in a safe and stable manner.
- The fixture should be serviced by qualified service personnel when:
  1. The power-supply cord or plug has been damaged.
  2. Liquid has been spilled into the fixture.
  3. The fixture has been exposed to rain or water.
  4. The fixture does not appear to operate normally or exhibits a marked change in performance.
- The fixture should be cleaned only as recommended by Hanson ProSystems. See "Cleaning" on page 25 for more details
- This product contains a rechargeable battery. This battery contains hazardous chemicals that cannot be discarded with household waste. Contact your local waste management service for recycling information when disposing of the battery.

**Warning!** To prevent or reduce the risk of electrical shock or fire, do not expose this fixture to rain, liquids or moisture. Beware, the housing may become extremely hot; avoid touching the fixture with bare hands while fixture is in use.

**Caution!** Avoid looking directly into the light source. Use sensible precaution as this may cause eye damage.

**3. Handling Precautions:** There are no user serviceable parts inside of this fixture. Do not attempt to make any repairs yourself; doing so will void the Hanson ProSystems warranty. If the warranty seal is broken or tampered with, customer's warranty is also void along with any warranty claims. In the unlikely event that your fixture requires service, please contact Hanson ProSystems during customer support hours. Hanson ProSystems is NOT liable for any damages caused by the non-observance of this manual or any unauthorized modification to this fixture.

## General Information

**Introduction:** The QUATTRO is a battery powered and wireless DMX LED fixture. It contains 6, 12, 45, and 51 DMX channel modes. This fixture is designed to be a versatile, compact and lightweight for up-lighting, stage wash, LED effects and full linear pixel mapping capabilities. The QUATTRO can operate as a standalone fixture or in a master slave configuration. This fixture has multiple pre programs, manual operations, internal strobe, sound active, wired and wireless DMX built in.

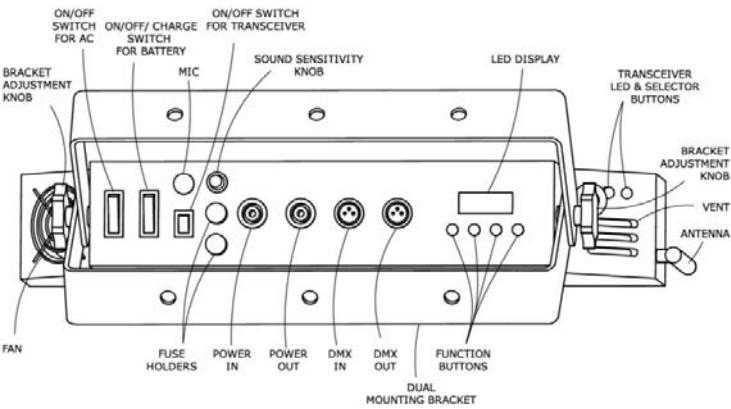
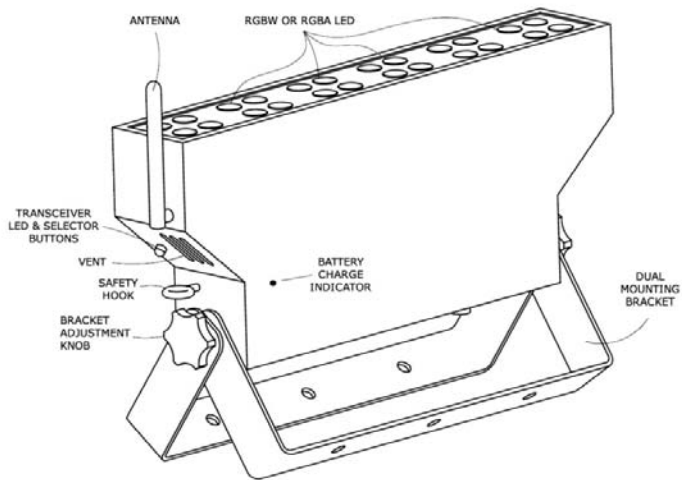
**Customer Support:** Hanson ProSystems customer service line provides help and answers for any questions you may have or problems you may encounter during your set up and/or initial operation. You may also visit our website at [www.hansonprosystems.com](http://www.hansonprosystems.com) if you have any comments or suggestions. Customer Support hours are Monday through Saturday from 10:00am to 7:00pm EST.

Phone: 305-623-2900  
 Toll Free: 1-(855)462-4HPS (477)  
 Fax: 305-626-8300  
 Email: [support@hansonprosystems.com](mailto:support@hansonprosystems.com)

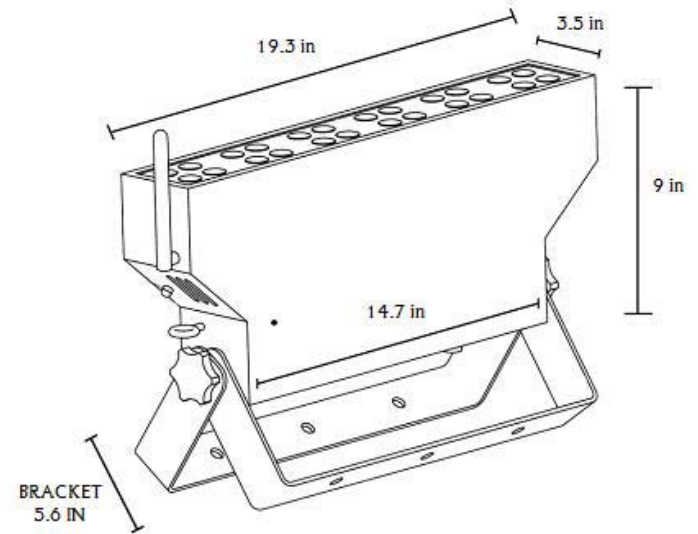
**Warranty Registration:** The QUATTRO includes a 3 year (1095 days) limited warranty for the LEDs and internal components. The battery carries a 1 year (365 days) limited warranty. The wireless antenna on the fixtures has no warranty. Please fill out the enclosed warranty card to validate your purchase and warranty. All returned service items whether under warranty or not, must be freight pre-paid and have a return authorization (R.A.) number. If the fixture is under warranty you must provide a copy of your original invoice. Please contact Hanson ProSystems customer support department for an (R.A.) number.

4. Introduction Diagram

Fixture Diagram:



Fixture Dimensions:



## Features:

- Battery Powered & Wireless DMX
- Rechargeable Battery with up to 12 hours of battery life
- Digital battery power indicator 0-100%
- Wireless DMX-512 protocol
- Built in 2.4G transceiver for wireless DMX operation (Optional: WDMX)
- 126 auto jumping channel frequencies with high anti-jamming ability to ensure work reliability
- 7 ID codes for multiple transceiver use
- Wired DMX-512 protocol
- Ability to send DMX protocol from the DMX output of the Quattro, using a standard DMX cable to any generic DMX fixtures when using the Quattro fixture wireless.
- 3-pin and 5 pin DMX input and output connectors (Optional: 5 pin DMX)
- RGBWA color mixing (Optional: RGBA or RGBW)
- 11 -4 in1 Watt LED 6 RGBW, 5 RGBA
- 25 degree lenses (Optional: 15°,45°,60° lenses)
- Electronic Dimming 0-100%
- Operation menu with function buttons and DMX control mode
- LED display for address and function setting
- Control DMX channels 6, 12,45 or 51 CH
- Full linear pixel mapping capabilities
- Strobe 1-255 / Color strobe 1-255
- Master / Slave Synchronization via wireless and wired
- Operation modes: DMX, Sound Active and Auto Modes
- Built in microphone for sound active mode
- LED chases (Adjustable Speeds)
- Dual bracket for floor stand and / or hanging mount
- Dual eye bolts for safety cables
- LIGHTWEIGHT for easy transport (19 LBS)
- COMPACT for low visibility
- VERSATILE LED wireless lighting fixture
- AC power auto ranging (100-240v 50/60HZ) In/Out
- Length 19.3 in (431.8 mm)
- Width 3.5 in (76.2 mm)
- Height 9 in (279.4 mm)
- Weight 19 lbs (5.44 kg)

## 5. Set Up

**AC Power:** Before plugging your fixture in, be sure that the power source voltage in your area matches the required voltage for the fixture. The QUATTRO works in 100-220V/50~60Hz. Line voltages may vary from venue to venue; therefore you should be sure that the fixture voltage matches the wall outlet voltage before attempting to operate it. Always connect the fixture to a protected circuit (circuit breaker or fuse). Make sure the fixture has an appropriate electrical ground to avoid the risk of electrocution or fire. Never connect the fixture to a rheostat (variable resistor) or dimmer circuit, even if the rheostat or dimmer channel serves only as a 0% to 100% switch.

**Charging the Battery:** The battery included with the QUATTRO does not come completely charged. It is recommended that you charge the fixture for at least 6 hours before your initial use. The QUATTRO comes with a replaceable lithium-ion battery for cable-free and wireless operation. To charge the battery, simply plug in the power con cable into the “power con input” at any time before, during, or after operation. Switch the battery switch to the CHARGE position, at this point the fixture will start the charging process.

**Battery Life Display:** The battery life display located in the menu options of the LED Display shown as “BTCC” will display the remaining amount of internal battery life 0-100%. See Menu Map on page 13 & 14 to find “BTCC”.

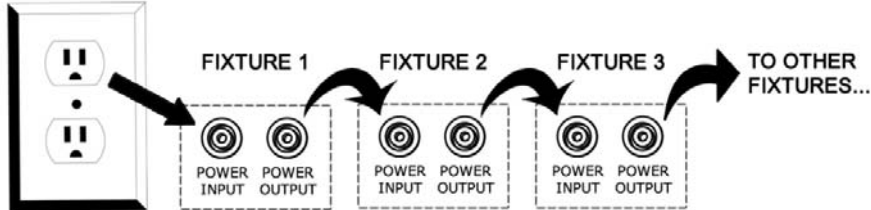
**Battery Charge Indicator:** The QUATTRO has a battery charge indicator on the front left portion of the fixture. When charging, the LED indicator will turn red. Once the fixture is fully charged the LED indicator will turn green. See fixture diagram on page 7 for the location of the Battery Charge Indicator.

**Battery Maintenance:** The QUATTRO should be charged for at least 6 hours prior to initial operation for optimal battery usage. To keep the battery in optimal operating condition, store the fixture in a cool, dry place and charge it at least once every 30 days when it has not been in use. Avoid exposure to extreme temperatures. If the fixture is exposed to extreme cold or hot temperatures this may cause the battery to fail or shorten the life of your battery. Your battery has a run time of up to 12 hours of battery life per charge and 6 hours of recharge time.

**Fuse Replacement:** The QUATTRO has two different fuses, one for the AC power 5A/250V and a second fuse for the battery 5A/250V. Always replace a blown fuse with a fuse of the same type and rating. The fixture does not ship with spare fuses.

1. Disconnect the fixture from the power outlet before replacing the fuse and turn off the battery.
2. Use a Phillips screwdriver to remove fuse holder.
3. Remove the blown fuse from the holder and replace with a fuse of the exact same type and rating.
4. Insert the fuse holder back in place and reconnect power.

**Power Linking:** The fixture provides power linking via the power con outputs located in the back of the fixture. Please see the diagram below for further explanation.



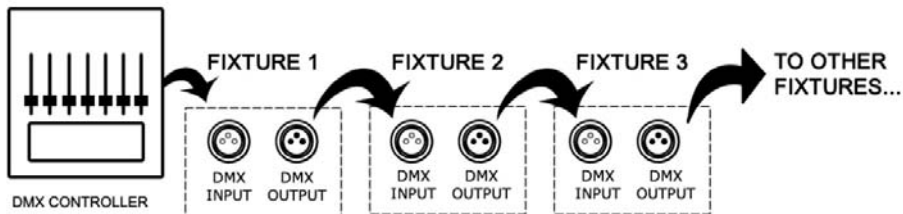
- You can power link up to ten (10) QUATTRO fixtures on a 120 VAC, 20 AMP or up to twenty (20) QUATTRO fixtures on a 240 VAC, 20 AMP circuit.
- The power linking diagram shown above corresponds to the North American version of the fixture ONLY! If using the fixture in other markets, you must consult with the local Hanson ProSystems dealer or distributor because power linking connectors and requirements may differ in your country or region.

**DMX Wire Setup:** Set the fixture in DMX mode to control with a DMX controller.

1. Connect the fixture to a suitable power outlet or use internal battery.
2. Turn the fixture on.
3. Connect a DMX cable from the DMX output of the DMX controller to the DMX input on the fixture.

**DMX Wire Linking:**

1. Make sure previous step on DMX wire setup is done already.
2. From the DMX output of the first fixture run a DMX cable to the DMX input of the second fixture.
3. Repeat step 2 for each fixture you wish to use.



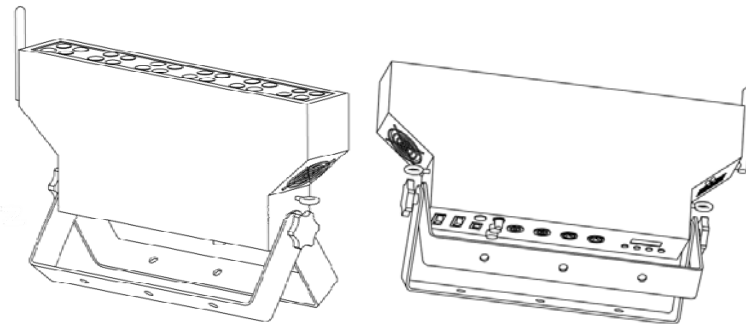
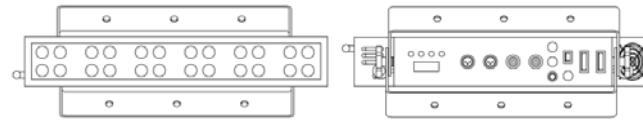
To ensure proper DMX data transmission, when using several DMX fixtures try to use the shortest cable path possible. The order in which fixtures are connected in a DMX line does not influence the DMX addressing. For example, a fixture assigned a DMX address of 1 may be placed anywhere in a DMX line, at the beginning, at the end or anywhere in the middle. When a fixture is assigned a DMX address of 1, the DMX controller knows to send DATA assigned to address 1 to that fixture, no matter where it is located in the DMX chain.

**DMX Signal Indicator:** When menu display screen is locked the red dot in LED display will blink, indicating DMX signal. If the red dot is not blinking the unit is indicating that there is no DMX signal.

**Mounting:** Before mounting the fixture, read and follow the safety recommendations indicated in the rigging section below. The QUATTRO may be mounted in any position; however, make sure there is adequate ventilation around the fixture to prevent overheating.

**Rigging:**

- Before deciding on a location for the fixture, always make sure there is easy access to the fixture for maintenance and programming purposes.
- Make sure that the structure or surface onto which you are mounting the fixture can support the fixture weight. Refer to the Technical Specifications section of this manual for weight information. When mounting the fixture overhead, always use a safety cable. Mount the fixture securely to a rigging point, whether an elevated platform or a truss.
- When rigging the fixture onto a truss, you should use a mounting clamp of appropriate weight capacity. The bracket has holes, which is appropriate for this purpose.
- When power linking multiple fixture, you must always consider the length of the power linking cable and mount the fixture close enough for the cable to reach.
- The bracket adjustment knobs allow for directional adjustment when aiming the fixture to the desired angle. Only loosen or tighten the bracket knobs manually. Using tools could damage the knobs.
- The double-bracket yoke on the ORIGINAL also serves as a floor support or allows for surface mounting. When using the fixture on the floor tighten the bracket adjustment knobs firmly to keep bracket secure. Make sure that the fixture and cables are away from doorways, people and vehicles.





**6. Operation**

**Control Panel Operation:** To access the control panel functions, use the four buttons located around the display. Please refer to the fixture Diagram to see the button locations on the control panel.

Menu Buttons:

- Menu – Press to back out of the current menu option
- Up – Press to scroll up the list of options or to find a higher value or speed
- Down - Press to scroll down the list of options or to find a lower value or speed
- Enter – Press to activate a menu option or a selected value

1. To unlock versions 1.0 and 1.1 on the display menu hold down the Up and Down buttons for 5 seconds, the word "Yes" will appear on the menu display. Then the fixture will be unlocked and ready to change settings. After 60 seconds of no operation, the menu display will automatically lock to protect display.
  - To unlock versions 1.2 and higher, on the display menu hold down the Menu and Enter buttons for 5 seconds the word "Yes" will appear on the menu display screen. Then the fixture will be unlocked and ready to change settings. After 1 minute and 20 seconds of no operation the fixture will automatically lock to protect screen.
  - For a faster approach to unlock fixture versions 1.2 and higher, turn fixture OFF and turn ON again. Then the fixture will be unlocked and ready to change settings. After 1 minute and 20 seconds of no operation the fixture will automatically lock to protect screen.
2. Press the Menu button and UP button or DOWN button until A001 is displayed this will be your starting point. (See chart below)

**Menu Map:**

Display	Function
ADDR A001 (DMX ADDRESS)	DMX Address display (001-512) Press enter then Up/Down to assign a DMX address, enter to confirm
CHAN (DMX CHANNEL MODE)	6 CH Press enter then Up/Down to assign a DMX Channel
	12 CH Press enter then Up/Down to assign a DMX Channel
	45CH Press enter then Up/Down to assign a DMX Channel
	51 CH Press enter then Up/Down to assign a DMX Channel
Standalone Modes CG00 00-99 (PULSE EFFECT 1)	RGBW or RGBA gradual pulse speed, (00-99) Press enter then Up/Down to alter the speed enter to confirm
Standalone Modes CJ00 00-99 (COLOR STROBE)	RGBW or RGBA combination variety speed, (00-99) Press enter then Up/Down to alter the speed enter to confirm
Standalone Modes CP00 00-99 (PULSE EFFECT 2)	RGBW or RGBA pulsating change, gradual change, (00-99) Press enter then Up/Down to alter the speed enter to confirm
NANU (MANUAL)	R000-255 Red manual operation (000-255) Press Up/Down to alter the value press enter for next color option
	G000-255 Green manual operation (000-255) Press Up/Down to alter the value press enter

		for next color option
	B000-255	Blue manual operation (000-255) Press Up/Down to alter the value press enter for next color option
	W000-255	White manual operation (000-255) Press enter Up/Down to alter the speed, press enter for next strobe option
	A000-255	Amber manual operation (000-255) Press enter Up/Down to alter the speed, press enter for next strobe option
Standalone Modes STOB (STROBE)	001-255	White Strobe Press Up/Down to alter the speed, press enter for next strobe option
	001-255	Color Strobe Press enter for SO1 press Up/Down to change to SO2
Standalone Modes SOUD (SOUND)	SoO1	Color Change Sound activation (built-in program) Press enter for SO2 press Up/Down to change to SO1
	SoO2	Color Strobe Sound activation (built-in program) Press enter for SO2 press Up/Down to change to SO1
Standalone Modes DENO (DEMO EFFECTS)	D01 - D12	Auto running mode (D01 – D12) Speed (SP001-SP-99) Fade (FA00-FA99) Press enter, then Up/Down to select a desired Demo chase. To alter the speed, press enter then Up/Down to select a desired speed
nASE (MASTER MODES)	Master and slave setting Press enter, then Up/Down to select Yes or No	
	YES	Slave
	NO	Battery life indicator 0-100% Press enter to view battery life
BTCC (BATTERY INDICATOR)	C000-100%	Fixture version indicator
CoLo (BUILT IN COLORS)	C01-C31	
Test		Quality Control
VE (VERSION INDICATOR)		indicator will start at 00.00 Press enter, ##. ## indicates total hours of operation since manufactured
OPST (OPERATION TIME)		indicator will start at 00.00 Press enter, ##. ## indicates total hours of operation since manufactured

**Setting DMX Channel Modes:** The QUATTRO has 4 different DMX channel modes; 6, 12, 45 and 51. To select the different DMX modes use the following steps: See chart on page 16, 17, 18 for DMX Values and Functions:

Connect the fixture to a suitable power outlet or use internal battery.

1. Turn the fixture on.
2. Unlock the fixture menu display by holding down the Up and Down buttons for 5 seconds, the word "Yes" will appear on the menu display. Then the fixture will be unlocked and ready to change settings. For more information see page 13
3. Press <UP> repeatedly until CHAN, shows on the display.
4. Press <ENTER>
5. Press <UP> or <Down> to select the DMX channel mode your desire 6,12,45 and 51
6. Now your DMX channel mode is selected
7. Press <MENU> to return to the previous menu

**Setting DMX Address:** When assigning a DMX address to the fixture, always consider the number of DMX channels that the selected DMX mode uses. If you choose a starting address that is too high, you could restrict the access to some of the fixture channels. The QUATTRO uses 6, 12, 45 and 51 DMX channels on the different DMX channel modes.

To select the starting address, do the following steps:

1. Connect the fixture to a suitable power outlet or use internal battery.
2. Turn the fixture on.
3. Unlock the fixture menu display by holding down the Up and Down buttons for 5 seconds, the word "Yes" will appear on the menu display. Then the fixture will be unlocked and ready to change settings. For more information see page 13
4. Press <UP> repeatedly until A001, shows on the display.
5. Press <ENTER>
6. Press <UP> or <Down> to select the DMX address you desire
7. Press <ENTER> and now your DMX address is assigned.
8. Press <MENU> to return to the previous menu

### DMX Values and Functions: 6 Channel Basic Modes

Channel	Channel Values	Function
1 channel	0-255	Red (0%-100%)
2 channel	0-255	Green (0%-100%)
3 channel	0-255	Blue (0%-100%)
4 channel	0-255	White (0%-100%)
5 channel	0-255	Amber (0%-100%)
6 channel	0-255	Remote Shut Off (Remote fixture on/off via DMX control)

### 12 Channel Advanced Modes

Channel	Channel Values	Function
1 channel	0-255	Red, Green, Blue, White Master Intensity (0%-100%)
2 channel	0-255	Red, Green, Blue, Amber Master Intensity (0%-100%)
3 channel		Auto running mode (built-in program)
4 channel		Strobe effect (0%-100%)
5 channel		Auto running speed control, from slow to fast
6 channel	0-255	Red (0%-100%)
7 channel	0-255	Green (0%-100%)
8 channel	0-255	Blue (0%-100%)
9 channel	0-255	White (0%-100%)
10 channel	0-255	Amber (0%-100%)
11 channel	0-255	Sound Active Mode
12 channel	0-255	Remote Shut Off (Remote fixture on/off via DMX control)



**45 Channel Basic Pixel Mapping Modes**

Channel	Channel Values	Function	
1 channel	0-255	The first group	Red (0%-100%)
2 channel	0-255		Green (0%-100%)
3 channel	0-255		Blue (0%-100%)
4 channel	0-255		White (0%-100%)
5 channel	0-255	The second group	Red (0%-100%)
6 channel	0-255		Green (0%-100%)
7 channel	0-255		Blue (0%-100%)
8 channel	0-255		Amber (0%-100%)
9 channel	0-255	The third group	Red (0%-100%)
10 channel	0-255		Green (0%-100%)
11 channel	0-255		Blue (0%-100%)
12 channel	0-255		White (0%-100%)
13 channel	0-255	The fourth group	Red (0%-100%)
14 channel	0-255		Green (0%-100%)
15 channel	0-255		Blue (0%-100%)
16 channel	0-255		Amber (0%-100%)
17 channel	0-255	The fifth group	Red (0%-100%)
18 channel	0-255		Green (0%-100%)
19 channel	0-255		Blue (0%-100%)
20 channel	0-255		White (0%-100%)
21 channel	0-255	The sixth group	Red (0%-100%)
22 channel	0-255		Green (0%-100%)
23 channel	0-255		Blue (0%-100%)
24 channel	0-255		Amber (0%-100%)
25 channel	0-255		Red (0%-100%)

26 channel	0-255	The seventh group	Green (0%-100%)
27 channel	0-255		Blue (0%-100%)
28 channel	0-255		White (0%-100%)
29 channel	0-255	The eighth group	Red (0%-100%)
30 channel	0-255		Green (0%-100%)
31 channel	0-255		Blue (0%-100%)
32 channel	0-255		Amber (0%-100%)
33 channel	0-255	The ninth group	Red (0%-100%)
34 channel	0-255		Green (0%-100%)
35 channel	0-255		Blue (0%-100%)
36 channel	0-255		White (0%-100%)
37 channel	0-255	The tenth group	Red (0%-100%)
38 channel	0-255		Green (0%-100%)
39 channel	0-255		Blue (0%-100%)
40 channel	0-255		Amber (0%-100%)
41 channel	0-255	The eleventh group	Red (0%-100%)
42 channel	0-255		Green (0%-100%)
43 channel	0-255		Blue (0%-100%)
44 channel	0-255		White (0%-100%)
45 channel	0-255		Remote Shut Off(Remote fixture on/off via DMX control)

**51 Channel Advanced Pixel Mapping Modes**

HPS-BPWDMXLED QUATTRO

Channel	Channel Values	Function	
1 channel	0-255	Red, Green, Blue, White Master Intensity (0%-100%)	
2 channel	0-255	Red, Green, Blue, Amber Master Intensity (0%-100%)	
3 channel	Auto running mode (built-in program)		
4 channel	Strobe effect (0%-100%)		
5 channel	Auto running speed control, from slow to fast		
6 channel	0-255	The first group	Red (0%-100%)
7 channel	0-255		Green (0%-100%)
8 channel	0-255		Blue (0%-100%)
9 channel	0-255		White (0%-100%)
10 channel	0-255	The second group	Red (0%-100%)
11 channel	0-255		Green (0%-100%)
12 channel	0-255		Blue (0%-100%)
13 channel	0-255		Amber (0%-100%)
14 channel	0-255	The third group	Red (0%-100%)
15 channel	0-255		Green (0%-100%)
16 channel	0-255		Blue (0%-100%)
17 channel	0-255		White (0%-100%)
18 channel	0-255	The fourth group	Red (0%-100%)
19 channel	0-255		Green (0%-100%)
20 channel	0-255		Blue (0%-100%)
21 channel	0-255		Amber (0%-100%)
22 channel	0-255	The fifth group	Red (0%-100%)
23 channel	0-255		Green (0%-100%)
24 channel	0-255		Blue (0%-100%)
25 channel	0-255		White (0%-100%)
26 channel	0-255	The sixth group	Red (0%-100%)
27 channel	0-255		Green (0%-100%)
28 channel	0-255		Blue (0%-100%)

HPS-BPWDMXLED QUATTRO

29 channel	0-255		Amber (0%-100%)
30 channel	0-255	The seventh group	Red (0%-100%)
31 channel	0-255		Green (0%-100%)
32 channel	0-255		Blue (0%-100%)
33 channel	0-255		White (0%-100%)
34 channel	0-255	The eighth group	Red (0%-100%)
35 channel	0-255		Green (0%-100%)
36 channel	0-255		Blue (0%-100%)
37 channel	0-255		Amber (0%-100%)
38 channel	0-255	The ninth group	Red (0%-100%)
39 channel	0-255		Green (0%-100%)
40 channel	0-255		Blue (0%-100%)
41 channel	0-255		White (0%-100%)
42 channel	0-255	The tenth group	Red (0%-100%)
43 channel	0-255		Green (0%-100%)
44 channel	0-255		Blue (0%-100%)
45 channel	0-255		Amber (0%-100%)
46 channel	0-255	The eleventh group	Red (0%-100%)
47 channel	0-255		Green (0%-100%)
48 channel	0-255		Blue (0%-100%)
49 channel	0-255		White (0%-100%)
50 channel	0-255		Sound Active Mode
51 channel	0-255		Remote Shut Off (Remote fixture on/off via DMX control)

**Standalone Modes:** Set the fixture in one of the standalone modes to control without a DMX controller. Never connect a fixture that is operating in any standalone mode to a DMX string connected to a DMX controller. The fixture in standalone mode may transmit DMX signals that could interfere with the DMX signals from the controller.

To enable the Standalone Modes do the following steps:

1. Connect the fixture to a suitable power outlet or use the internal battery.
2. Turn the fixture on.
3. Unlock the fixture menu display by holding down the Up and Down buttons for 5 seconds, the word "Yes" will appear on the menu display. Then the fixture will be unlocked and ready to change settings. For more information see page 13
4. Press <UP> repeatedly and CG##, CJ##, CP##, NANU, STOB, Soud and DENO, will show on the menu display. Once one of these modes is selected the fixture will start to correspond to that mode.
5. Press <ENTER> to adjust the speed of the mode
6. Press <UP> or <Down> and select the speed you desire
7. Press <ENTER> and now your mode and speed will correspond as desired
8. Press <MENU> to return to the previous menu

See Menu Map on page 13 and 14 for all the different standalone modes.

Certain programs will have additional functionality. To find these options, press <ENTER> after selecting an auto program. Then press <UP> or <DOWN>. Not every program will feature all the added functionality. See Menu Map on page 13 and 14 for all the different standalone modes.

**Wired Master-Slave Configuration:** This function will allow you to link together and operate without a DMX controller. In Master-Slave operation one unit will act as the controlling unit and the others will react to the controlling units programs. Any unit can act as a Master or as a Slave.

1. Using approved DMX data cables, daisy chain your units together via the XLR connector on the rear of the units. Remember the male XLR connector is the input and the female XLR connector is the output. The first unit in the chain (master) will use the female XLR connector only- The last unit will use the male XLR connector only. For longer cable runs we suggest a terminal at the last fixture.
2. On the Master unit press <MENU>, then use the <Up> or <Down> buttons to find "nASE" on the menu display screen; press the <ENTER> button, use the <Up> or <Down> buttons to select "Yes" on the menu display screen then press <ENTER>.
3. On the Slave units press <MENU> then use the <Up> or <Down> buttons to find "nASE" on the menu display screen; press the <ENTER> button, use the <Up> or <Down> buttons to select "No" on the menu display screen then press <ENTER>. The Slave units will now follow the Master Unit.

**Wireless Master-Slave Configuration:** This function will allow you to link together and operate without DMX cables or a DMX controller. In wireless Master-Slave operation one unit will act as the controlling unit and the others will react to the controlling units programs. Any unit can act as a Master or as a Slave.

1. Connect a DMX 512 cable from the output of a DMX 512 console or DMX 512 software to the desired input of a Quattro fixture to become your transmitter/ master. Make sure your controller source is on and is sending DMX protocol signals to your Quattro unit.

2. On the same unit that will be your transmitter/ master, next to the antenna you will find a LED indicator and a red push button. In order for this unit to become a transmitter the LED indicator must be yellow. If the LED is blinking or pulsing you are not in the right mode. To set the unit as a transmitter:

- Hold down the red Tx/Rx button and at the same time shut off the transceiver on / off switch on the back panel of the unit. while still holding down the red push button turn on the transceiver on /off switch and release the red push button after a second. If the LED indicator is now solid yellow this unit is now a transmitter.

**Note:** if the LED indicator is not solid and blinking or pulsing repeat the steps above until the LED is solid yellow .)

3. On the units that will become receivers the LED indicator must be completely off.

Follow the same steps above to achieve this.

**Note:** this same process must be done to all the units that will become receivers. This process is unlimited.

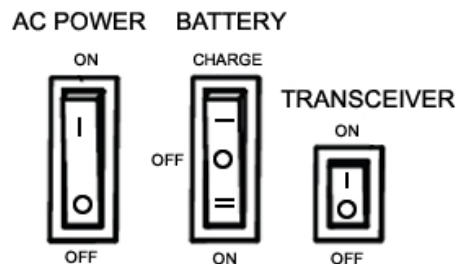
4. Once steps 1, 2 and 3 are completed, you will have one unit as your transmitter / master with the LED solid yellow on and all other units as receiver / slave and the LED will be completely off.

5. Your final step is to link the transmitter unit to the receiver units.

- On your transmitter / master unit press the red button <DOWN>  
Now the transmitter unit will send a signal to all the receivers units. In this step, you will see all the LED indicators on the units blinking fast.
- Once the transmitter unit finds the best frequency to transmit, all the LED indicators on the receiving units will be solid yellow.

**Note:** if you don't want to use any of the units as a transmitter and will be using a Black Box or other Wireless Solutions transmitters the process for the receiver units will be the same as step 3, 4, 5. Then on that Black Box you will push down the red button to link all the receiver units to the Black Box.

**Battery Functions:** The fixture has the ability of being battery powered. The switch for the battery on / off and charge is set on the rear panel of the fixture. It is shown as the following diagram, and the functions are described below.



There are three switches on the rear panel of the fixture. The first is for AC power, the second is for the battery operations and the third is for the transceiver.

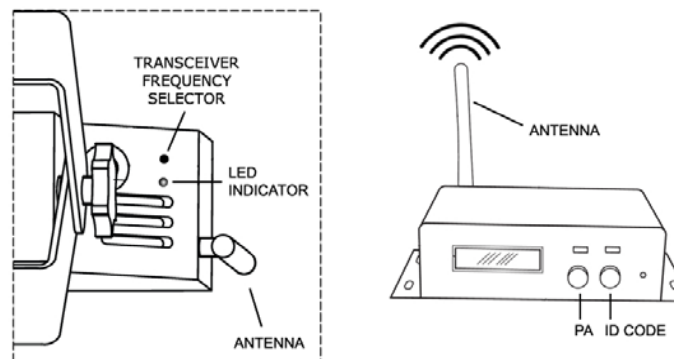
- **AC Power:** When you use the fixture with the AC power, not the battery, switch the AC power to ON, and switch the battery to battery OFF.
- **Battery Power:** When you use the fixture with the battery instead of AC power switch AC power to OFF, and then switch the battery to battery ON.
- **AC Power and Charge:** When charging the fixture switch to charge. At the same time, if the switch for AC power is ON, the fixture will be at work during the process of charge, but will consume some power from the charge; if the switch for AC power is OFF, the fixture will be off and not working but charging.
- **Transceiver Power:** When you use the fixture in DMX wireless mode, turn the transceiver switch to ON. When using wired DMX the transceiver must be in the OFF position. If not the signals could interfere with each other.

### Wireless DMX Internal Transceiver:

The ORIGINAL has a built in DMX512 wireless transceiver that transmits standard DMX512 protocol data (generated by a DMX console). Each fixture has the ability to transmit and receive DMX signal generated from the DMX console. This eliminates connecting any cables, making the fixture completely wireless. This fixture has all the FCC certifications with FCC ID ZTA-HPS-DMX-WTR. This device complies with Part 15 of the FCC Rules. Operation is subject to the following two conditions: 1. This device may not cause harmful interference, and 2. This device must accept any interference received, including interference that may cause undesired operations.

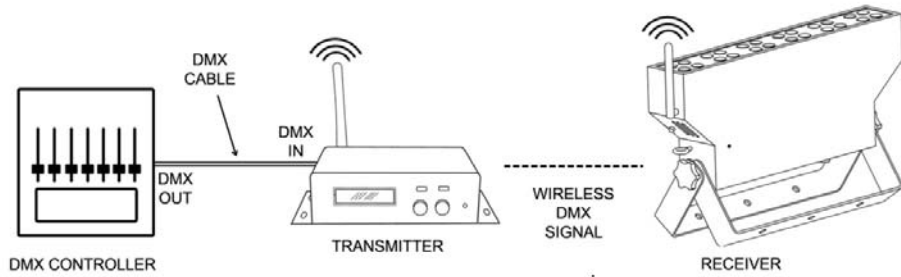
**Wireless DMX Control:** When you use the fixture in wireless DMX mode you must use a compatible wireless transceiver like the HPS-DMX-WTR. To enable the Wireless DMX do the following steps:

1. Connect the fixture to a suitable power outlet or use the internal battery.
2. Turn the fixture ON.
3. On the fixture turn receiver switch to the ON position.
4. Locate the Receiver Frequency Selector button and the LED indicator on the right side of the fixture. Here you must assign the desired ID code / frequency for the fixture by pushing down the selector button. This will change colors to represent different ID codes / frequencies. See page 25 for ID codes / frequencies and diagram.
5. Select a color ID code / frequency for the fixture. Keep in mind that ID code red is your starting point on the transceiver HPS-DMX-WTR.
6. Gently pull out the built in wireless antenna. This is located on the right side of the fixture next to the Receiver Frequency Selector button and the LED indicator. See below diagram for location.
7. Connect the transceiver HPS-DMX-WTR to a suitable power outlet. Locate the ON/OFF switch and turn on the unit.
8. On the front of the HPS-DMX-WTR transceiver unit you will find two different buttons labeled PA and ID. PA is for the Wireless DMX distance and we recommend to always leave on 3. ID is to select the ID code / frequency to match the color code on your fixture. See page 25 for ID codes / frequencies and diagram.
9. Select the ID number that matches the color code on the fixture.
10. Using a standard DMX controller run a DMX cable from the DMX out of the controller to the DMX in of the transceiver HPS-DMX-WTR.
11. Now your fixture and transceiver HPS-DMX-WTR will communicate and the LED indicator located under the Receiver Frequency Selector button will flash green. If there is no signal the LED indicator returns to the original color you selected.
12. The wireless HPS-DMX-WTR transmitter can reach 400-500 meters, which would be about 1,312 feet in the case of no barriers. And with barriers, the signal can be reached 150 meters, which would be about 492 feet. This will vary according to the surrounding conditions.

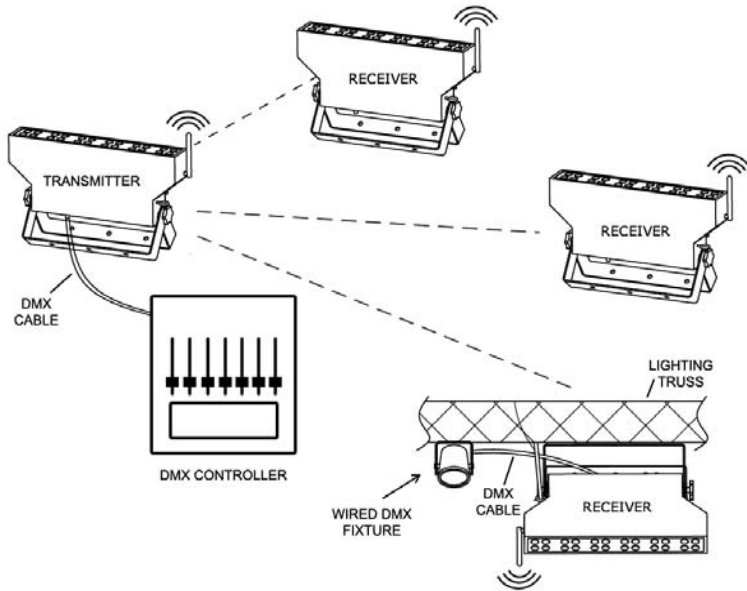


Examples of System Configurations:

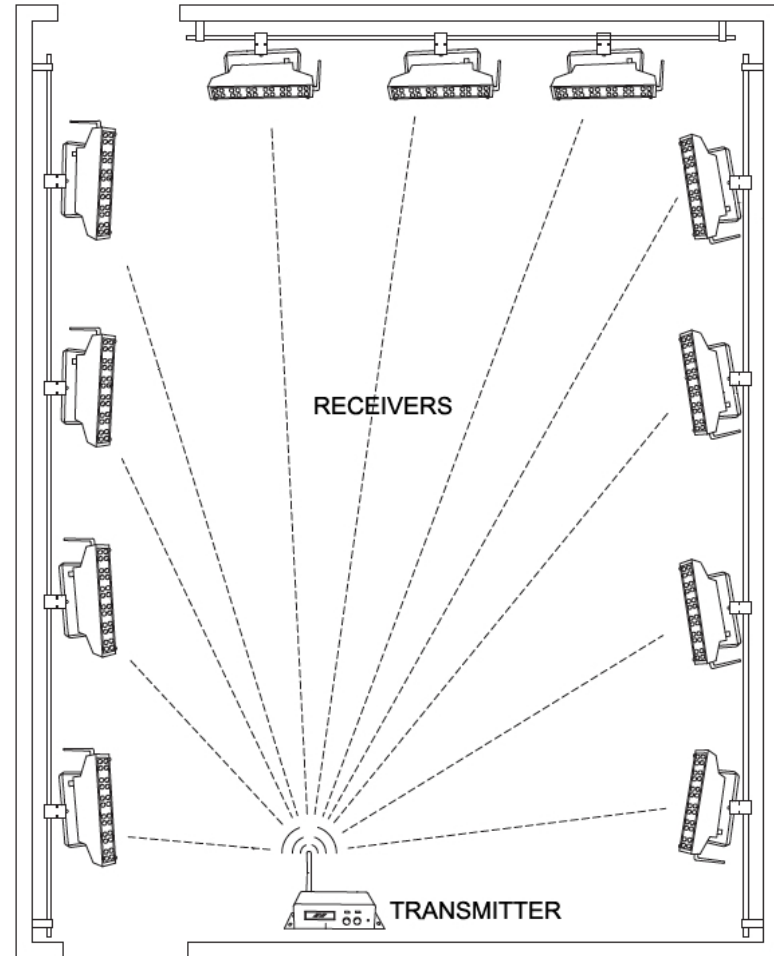
Example 1:



Example 2:



Example 3:



**HPS-DMX-WTR Features:**

- Single key to operate, tricolor LED displaying
- Transmitting standard DMX512 protocol data of DMX console. It can also transmit fixture to fixture DMX512 protocol data. 126 channels auto jumping frequencies, high anti-jamming ability to ensure work reliability. 7 ID codes, User can use 7 groups, individual wireless net without interfering with each other in the same place.
- Input voltage : 5VDC
- Work frequency section : 2.4G ISM, 126 channels frequency section
- Max transmitting power rate : 20dBm
- Receiver sensitive : -94dBm
- Signal port : RS485 or CPU series port AURT

**7. Other information**

**Cleaning:** Due to fog residue, smoke, and dust cleaning the internal/external optical lenses and mirror should be cleaned periodically, to optimize light output. Cleaning frequency depends on the environment in which the fixture operates (i.e. smoke, fog residue, dust, dew). In heavy club use we recommend cleaning on a monthly basis. Periodic cleaning will ensure longevity, and a crisp light output.

## Instructions:

1. Use normal glass cleaner and a soft cloth to wipe down the out-side casing.
2. Use a brush to wipe down the cooling vents and fan grill.
3. Clean the external optics and mirror with the glass cleaner and a soft cloth every 20 days.
4. Clean the internal optics with glass cleaner and a soft cloth every 30-60 days.
5. Always be sure to dry all parts completely before plugging the fixture back in.

**Trouble Shooting:**

Below you will find common problems you may encounter along with possible solutions. **For more Troubleshooting or Frequently asked questions, visit [www.hansonprosystems.com/support/](http://www.hansonprosystems.com/support/)**

**No light output from the Fixture:** Be sure you have connected your fixture into a standard 120v wall outlet. Check to ensure that the external fuses are not blown and that the fuse holders are completely and properly seated. The fuses are located on the rear panel of the fixture. Check that the battery has charge.

**Fixture does not respond to DMX:** Check that the DMX cables are connected properly and are wired correctly (pin 3 is "hot"; on some other DMX devices pin 2 may be 'hot'). Also check that all cables are connected to the appropriate connectors.

**Fixture does not respond to wireless DMX:** Make sure the controller is powered on and the DMX cable is connected to the transceiver. Check that the transceiver and the fixture have the same ID code assigned to each other. To reset connection turn transceiver OFF, wait 5 seconds and turn transceiver ON.

**Fixture does not respond to sound:** Low frequencies (bass) should cause the fixture to react to sound. Tapping on the microphone, quiet or high pitched sounds may not activate the fixture.

**Specifications:**

- Model: HPS-BPWDMXLED QUATTRO
- Working Position: Any safe working position
- Power Supply: Switching power supply
- Voltage: AC 100-240V /50~60Hz
- Power Consumption: 35W
- Color of shell: White or Black
- RGBWA color mixing (Optional: RGBA or RGBW)
- 11 -4 in1 Watt LED 6 RGBW, 5 RGBA
- 25 degree lenses (Optional: 15°,45°,60° lenses)
- Weight: 12 lbs / 5.44kg
- Fuse: 5A/250V fixture
- Fuse: 5A/250V battery
- DMX: 6, 12, 45, or 51 channels
- Sound active: yes
- Battery powered and wireless DMX control: The battery can last for more than 12 hours on auto running mode, and approximately 12 hours in the event that all LED lights are on.
- Wireless control: 150m (492ft) with barriers, 400-500m (1,312ft) without barriers)
- Warranty: 3 Year limited warranty

**Note:** All information is subject to change without prior notice.



**Returns Procedure:**

You must send the fixture and all its accessories back in the original box, original packaging and with pre paid shipping. Hanson ProSystems will not issue call tags. You MUST call Hanson ProSystems and request a "Return Merchandise Authorization Number" (RMA #) before shipping the fixture. Be prepared to provide the model number, serial number, and a brief description return reason.

You must clearly label the package with the RMA number that was provided to you by our customer service representative. Hanson ProSystems will NOT accept any fixture returned without an RMA number. DO NOT write the RMA number directly on the original box. Instead, write it on a properly affixed label. Once you receive the RMA number, please include the following information on a piece of paper inside of the box.

1. Your name
2. Address
3. Phone number
4. RMA number
5. Brief description of the problem

Be sure to pack the fixture properly. Any shipping damage resulting from inadequate packaging will be the customer's responsibility. As a suggestion, proper packing or double-boxing is always a safe method to use. Hanson ProSystems reserves the right to use its own discretion to repair or replace returned fixture (s).

**Shipping Claims:**

The carrier is responsible for any damage incurred during shipping to this fixture or any part that shipped with it. Therefore, if the received merchandise appears to have damages caused during shipping, the customer must submit the damage report and any related claims with the carrier, not Hanson ProSystems. The customer must submit the report upon reception of the damaged merchandise. Failure to do so in a timely manner may invalidate the customer's claim with the carrier.

For other issues such as missing components or parts, damage not related to shipping, or concealed damage, the customer must make claims to Hanson ProSystems within seven (7) days of receiving the merchandise.

**9. Manufacturer's Limited Warranty**

Hanson ProSystems hereby warrants to the original purchaser, Hanson ProSystems products to be free of manufacturing defects in material and workmanship during the specific period from the date of purchase (see specific warranty period on reverse) this warranty shall be valid. It is the owner's responsibility to provide dated proof of purchase at the time of service. In cases where a greater than a 12-month difference between date of manufacture and date of purchase, the date of manufacture will be used as the warranty period start date. This warranty is not transferable. Purchase of Hanson ProSystems products from an unauthorized reseller excludes you from any Hanson ProSystems warranty.

- A. **For warranty service you must contact Hanson ProSystems Service Department at (305) 623-2900 to obtain a Return Authorization Number (RA#)** all returned service items whether under warranty or not, must be pre-paid by the sender. Hanson ProSystems will at its own expense, return the repaired product only in the United States and only if the product is under warranty. If the fixture is under warranty you must provide a copy of your original invoice. No accessories should be shipped with the product. If any accessories like cables are shipped with the product, Hanson ProSystems shall have no liability for loss or damage of accessories.
- B. This warranty is void if the serial number has been altered or removed; if the product is modified in any manner. Do not attempt any repairs yourself; doing so will void the Hanson ProSystems warranty. If the warranty seal is broken or tampered with, customer's warranty is void and any warranty claims. If the product has been repaired or serviced by anyone other than Hanson ProSystems, unless prior verbal consent and written authorization was given to buyer by Hanson ProSystems; if the product is damaged because of abuse, misuse, wrong installation, improper maintenance will void all warranties.
- C. This is not a service contract, and this warranty does not include maintenance, cleaning or periodic check-up. During the limited warranty, Hanson ProSystems will replace LED's and internal components, and will cover all service and repair labor expenses. The wireless antenna on the fixtures carries no warranty. The sole responsibility of Hanson ProSystems under this warranty shall be limited to the repair of the product, or replacement thereof, including parts, at the discretion of Hanson ProSystems.
- D. Hanson ProSystems reserves the right to make changes in design and/or improvements upon its products without any obligation to include these changes in any products thereafter manufactured.

**HPS-BPWDMXLED QUATTRO**

No warranty, whether expressed or implied, is given or made with respect to any accessory supplied with products described above. Except to the extent prohibited by applicable law, all implied warranties made by Hanson ProSystems in connection with this product, including warranties of merchantability or fitness, shall apply to this product after said period has expired. The consumer's and or dealers shall be such repair or replacement as is expressed above; and under no circumstances shall Hanson ProSystems be liable for any loss or damage, direct or consequential, arising out of the use of, or inability to use, this product. This warranty is the only written warranty applicable to Hanson ProSystems products.

**MANUFACTURER'S LIMITED WARRANTY PERIODS:**

- **All Hanson ProSystems Fixtures: 3 year (1095 days) limited warranty**  
(excludes wireless antennas)
- **Hanson ProSystems Lithium Ion Battery: 1 year (365 days) limited warranty**
- **All Hanson ProSystems Co2 jets: 1 year (365 days) limited warranty**
- **All Hanson ProSystems Laser products: 1 year (365 days) limited warranty**

Model:

---

Date Purchased:

---

Serial number(s):

---



---



---



---



---



---



---



---



---



---

Register your products online at: [www.hansonprosystems.com/warranty](http://www.hansonprosystems.com/warranty)

**HPS-BPWDMXLED QUATTRO**

**General Information**

Hanson ProSystems  
 4960 NW 165 St Unit B-12 Miami Gardens, FL 33014  
 Phone: 305-623-2900  
 Toll Free: 1 (855)462-4HPS (477)  
 Fax: (305)626-8300  
 General Information email: [info@hansonprosystems.com](mailto:info@hansonprosystems.com)  
 Sales email: [sales@hansonprosystems.com](mailto:sales@hansonprosystems.com)  
 Support email: [support@hansonprosystems.com](mailto:support@hansonprosystems.com)  
 Service and repair email: [service@hansonprosystems.com](mailto:service@hansonprosystems.com)  
[www.hansonprosystems.com](http://www.hansonprosystems.com)

